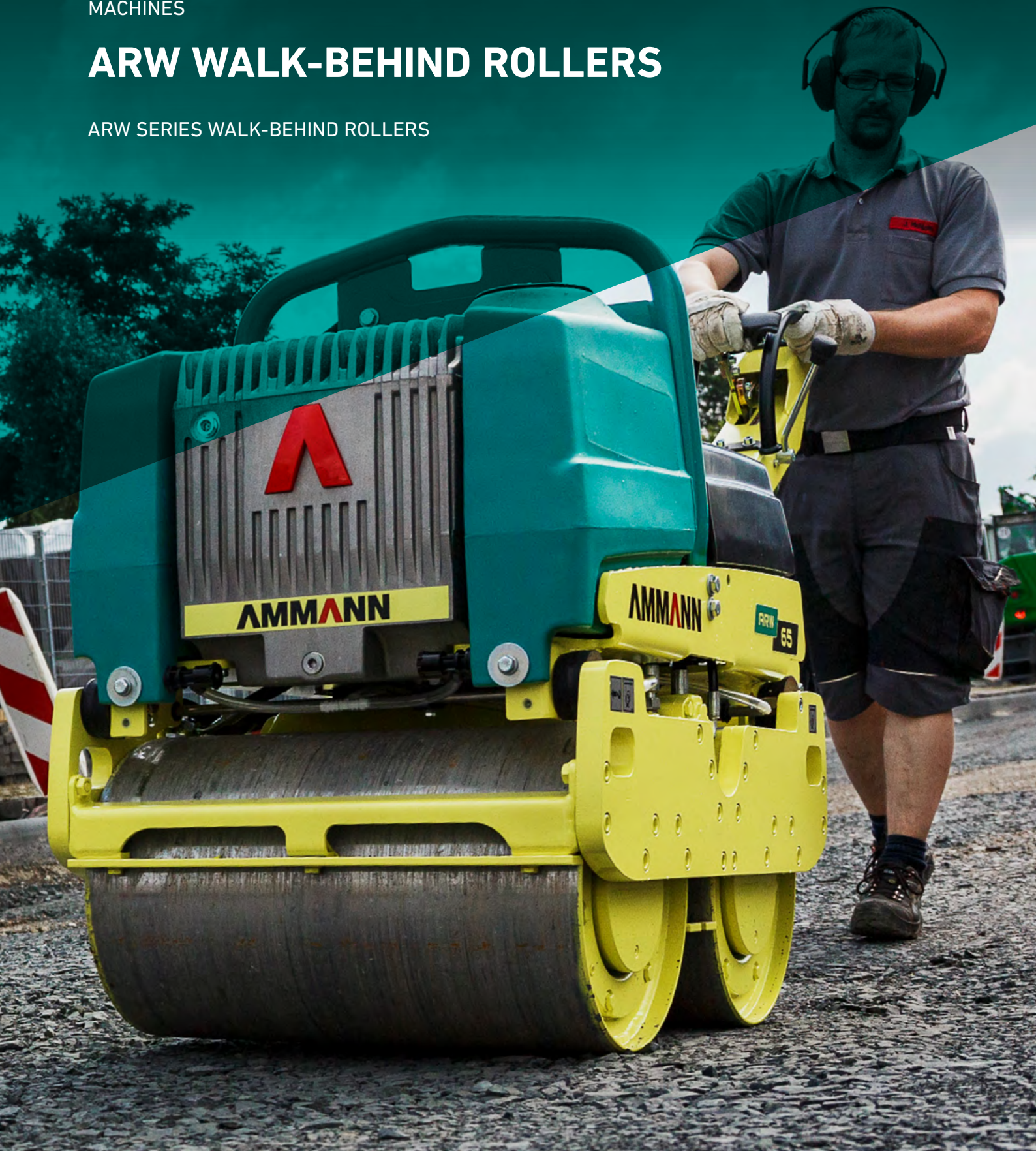


MACHINES

ARW WALK-BEHIND ROLLERS

ARW SERIES WALK-BEHIND ROLLERS



AMMANN

“The ARW 65 is one of the most versatile machines on the market. It delivers optimum compaction results on substructures and asphalt surfaces.”



THE RIGHT FIT ON YOUR JOBSITE

AMMANN ARW WALK-BEHIND ROLLERS

Walk-behind vibratory rollers from Ammann offer two applications in one machine. The operator can choose between a high amplitude for working on substructures and a low amplitude for compacting asphalt and bituminous material. Walk-behind rollers are available with two different diesel engines. Both are powerful and fulfill the applicable world-wide emission standards.



ARW 65 HATZ

OPERATING WEIGHT CECE: 719 kg
DRUM WIDTH: 650 mm
MAX. VIBRATING FREQUENCY: 60 Hz
MAX. CENTRIFUGAL FORCE: 11 / 21 kN



ARW 65 YANMAR

OPERATING WEIGHT CECE: 712 kg
DRUM WIDTH: 650 mm
MAX. VIBRATING FREQUENCY: 60 Hz
MAX. CENTRIFUGAL FORCE: 11 / 21 kN



YOUR BENEFITS AT A GLANCE

WHAT CHARACTERISES THE
WALK-BEHIND ROLLERS FROM AMMANN?

EFFICIENCY

2 amplitude settings

Enables different applications such as asphalt work or compaction work on substructures or non-bonded base layers

Fully hydraulic machine

Precise speed adjustment

Full side clearance

Accurate, infinitely variable working next to walls and kerbs

Integrated sprinkler system

Prevents asphalt from caking on the drums

ERGONOMICS

Dead man handle

Operators work in safety

Automatic parking brake

Prevents the machine from rolling away

Height-adjustable guide handle

Optimises operating comfort for operators of any height

Maximum reversing speed reduced to 2.5 km/h

Enables controlled working in reverse mode

SERVICEABILITY

Simplified maintenance work

Daily maintenance work does not require special tools

Drive without wear parts

The fully hydraulic drive system works without a high-maintenance centrifugal clutch and V belt

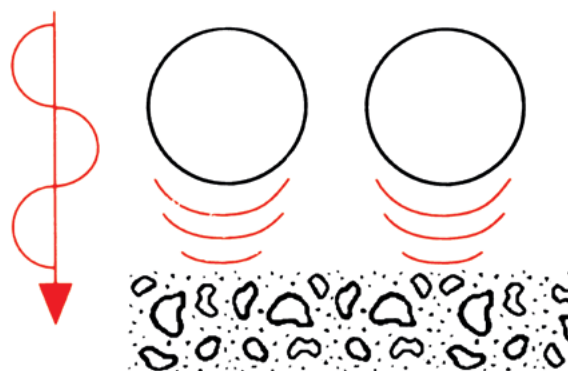
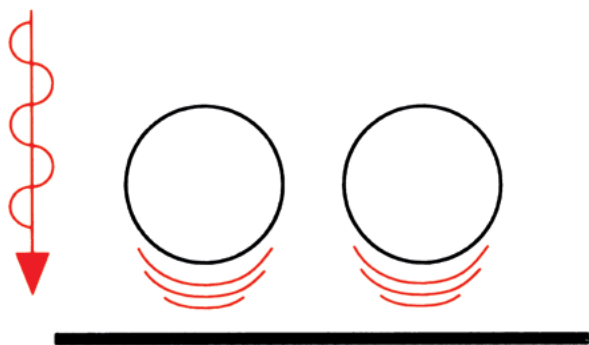
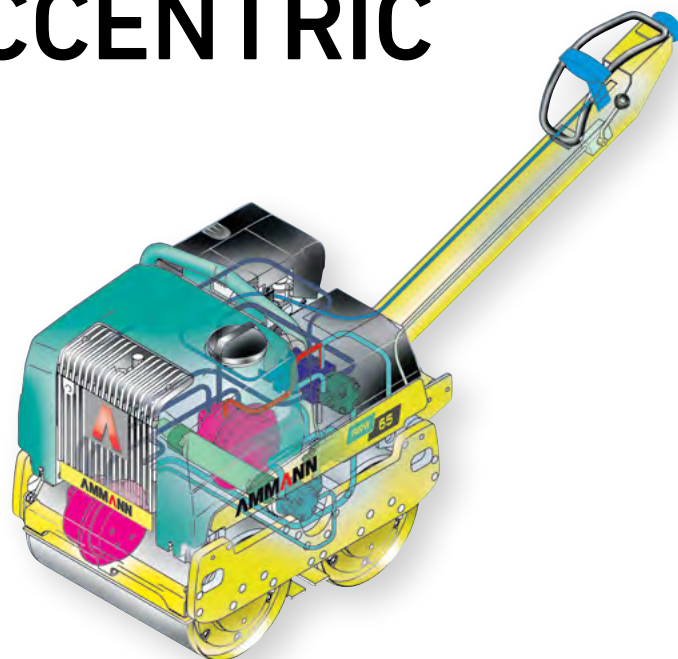




ADJUSTABLE ECCENTRIC WEIGHTS

EFFICIENCY ON EVERY SUBSTRATE

The roller is suitable for use on substructures and asphalt surfaces. Adjustable eccentric weights for setting the amplitude and an integrated, generously dimensioned 60-litre water tank as standard guarantee that the machine is always ready for use and can switch quickly from loose substrate to asphalt. The ARW from Ammann is therefore the ideal addition to any machine pool.



TECHNICAL SOLUTIONS FOR YOUR JOBSITE

ADAPTABLE TO YOUR NEEDS

Quality and productivity are prerequisites for good construction machines. Ammann machines offer both and stand out through ease of operation. Numerous options guarantee every customer has the ideal machine for his area of use.



HOURS-RUN METER

The next service date can be scheduled well in advance thanks to a continuous display of hours run.



ELECTRIC START

(STANDARD ON THE YANMAR VERSION,
OPTIONAL ON THE HATZ VERSION)

Starting the machine is easy with the E-starter. Cranking the machine before starting work is no longer necessary.



“A generous 60 litre water tank, scraper and a sprinkler system are standard features. The machine is therefore always ready for compaction work on fresh asphalt.”





AMMANN

AMMANN



AMMANN

ARW 65

WALK-BEHIND ROLLERS

FLEXIBILITY FOR YOUR MACHINE POOL

The ARW 65 offers two applications in one machine to optimise your cost of investment.

The high amplitude setting makes the walk-behind roller ideal for compacting soil and substructures. The operator can switch to a lower amplitude that is perfect for compacting asphalt and bitumen. The machine is always ready for working on bituminous surfaces thanks to a scraper and a 60 litre water tank with sprinkler system.

The ARW 65 is available with engines from Hatz and Yanmar. These powerful diesel engines guarantee good driving properties even in difficult terrain.

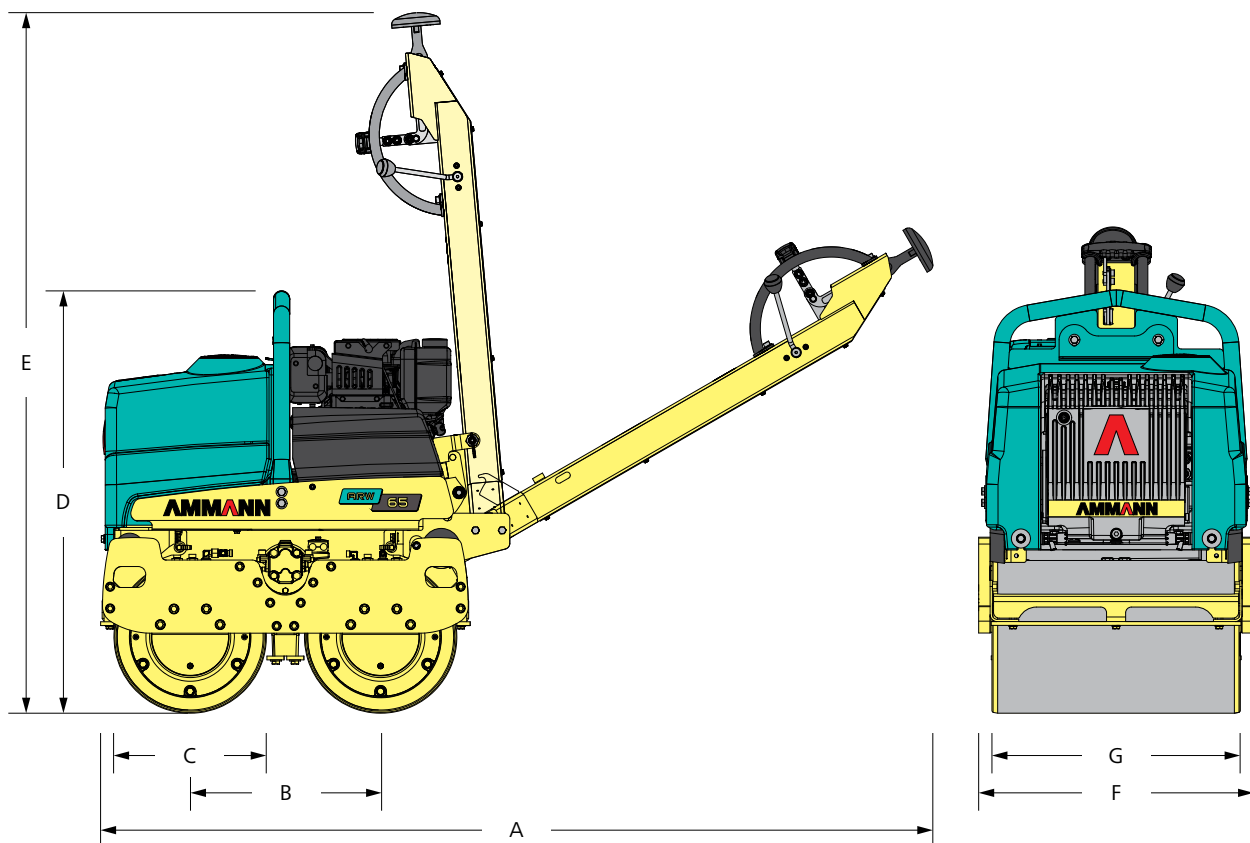
The Yanmar version comes with an electric starter as standard. The Hatz version offers an electric starter as an option.



HIGHLIGHTS

- Hydrostatic drive and vibration system
- Hydrostatically adjustable eccentric weights for machine use on substructures and bituminous surfaces
- Hydraulic pump for the hydrostatic drive and steering; no V belt required
- Ergonomic guide handle with dead man handle for even more safety
- Large 60-litre water tank for compacting bituminous surfaces
- Easily accessible maintenance points





DIMENSIONS & WEIGHT

	ARW 65 Hatz	ARW 65 Yanmar
OPERATING WEIGHT CECE	719 kg	712 kg
NET WEIGHT, STANDARD VERSION	687 kg	679 kg
A MACHINE LENGTH	2288 mm	2288 mm
B DRUM SPACING	500 mm	500 mm
C DRUM DIAMETER	400 mm	400 mm
D MACHINE HEIGHT	1110 mm	1110 mm
D TRANSPORT HEIGHT	1835 mm	1835 mm
F MACHINE WIDTH	720 mm	720 mm
G DRUM WIDTH	650 mm	650 mm

COMPACTION OUTPUT

MAX. VIBRATING FREQUENCY	60 Hz	60 Hz
MAX. CENTRIFUGAL FORCE	11/21 kN	11/21 kN
LINER PRESSURE	5 kg/cm	5 kg/cm
MAX. COMPACTION DEPTH (SOIL)	20/15 cm	20/15 cm
MAX. COMPACTION DEPTH (SAND)	30/25 cm	30/25 cm

* depending on ground conditions

ENGINE

	ARW 65 Hatz	ARW 65 Yanmar
ENGINE	Hatz 1D42S	Yanmar L100N
FUEL	Diesel	Diesel
ENGINE OUTPUT AT RPM	6.1 kW, 8.3 HP 2800	6.1 kW, 8.3 HP 2600
FUEL CONSUMPTION	1.7 l/h	1.2 l/h

MISCELLANEOUS

SPEED (FORWARDS)	4 km/h	4 km/h
SPEED (REVERSING)	2.5 km/h	2.5 km/h
GRADEABILITY WITH / WITHOUT VIBRATION	25 % / 45 %	25 % / 45 %
FUEL TANK VOLUME	5 l	4.7 l
HYDRAULIC OIL TANK VOLUME	20 l	20 l
WATER TANK VOLUME	60 l	60 l

TRAINING

ENHANCE YOUR PERFORMANCE

The Ammann International Training Centre in the Czech Republic is our training headquarters. If you are not able to visit the International Training Centre, Ammann will bring the training to your business or even a jobsite of your choosing.

MACHINE TRAINING MODULES

Modules help you organise your team's training efforts. For example, you can have comprehensive lessons that put you on the path to expertise regarding a single machine. Or, if you prefer, your crew can instead broaden its general knowledge. And if you want to become an expert on the entire product line, the modules can accommodate that, too.



MAIN COURSES

These are the most frequently requested lessons and focus on one machine line.

SUB COURSES

These courses focus on a single machine and typically run for 2 days, allowing a second (or even third) such course to be taken during a week at the training centre.

PRODUCT COURSES

Important information regarding Ammann compaction machines is at the core of these classes. The training includes correct operation and basic maintenance.

ADMINISTRATIVE COURSES

Participants in this training learn effective utilisation of warranty claims, spare parts purchase orders, training, requests for technical support and service tips. Those who take these classes will learn to use all Ammann technical publications and administration tools.

COMMISSIONING COURSES

In this training, participants learn maintenance and proper methods for organising a commissioning of Ammann compactors and asphalt pavers.

INTELLIGENT COMPACTION COURSES

Participants learn about the ACE^{force}, ACE^{pro} and ACE^{plus} systems used in Ammann machines. Those who take the class will learn to properly operate, maintain, diagnose and repair ACE systems. The offerings include ACE iii System for Soil Compactors, which is focused on ASC rollers, and ACE iii System for Asphalt Compactors, which discusses systems on ARP 95, ARX 90 and ARX 110.

SERVICE

A NETWORK TO SUPPORT YOU

No matter where you are, Ammann-trained technicians and parts are nearby. Ammann dealers provide well-trained service technicians who can help you, whether it's an emergency or time for preventive maintenance. The vast Ammann network ensures there is a nearby technician who understands your language and your technical needs. Parts availability and ease of ordering are always Ammann priorities.

HOTLINE SUPPORT

Ammann experts are ready to answer your technical questions 24 hours a day, seven days a week. The hotline team is highly trained and experienced. Representatives can talk you through the challenges – in various languages – to help keep your machine productive.

SERVICE APP

The service app for Ammann machines impresses machine operators who are already benefiting from the advantages of the free application. The easy-to-use app provides machine operators working on site quick and uncomplicated access to machine documentation.

SERVICE VIDEOS

Sometimes a video tells the story best. That's why you'll find a variety of service videos that walk you through service and maintenance processes.

QR CODE

Many maintenance kits feature QR codes that link to videos with helpful demonstrations that walk you or your technician through the process. The videos tell the story without dialogue so customers anywhere in the world can understand.



SPARE PARTS

You can only earn money when your equipment is working. That's why Ammann does everything possible to ensure you have the parts where and when you need them. Those efforts include easy online ordering to avoid confusion and enable tracking, and efficient logistics and availability to help parts reach you quickly.

WEARING KITS

Some machines handle abrasive materials in demanding applications. While wear is inevitable, downtime can be limited. Wearing kits make replacement of these parts efficient and cost-effective. All the necessary parts – big and small – are in a single box to keep you organised and efficient and to ensure the machines are quickly back up and running.

EMERGENCY KITS

Emergency kits prevent little frustrations from becoming bigger issues that can shut down a machine and even a jobsite. These kits include parts such as switches, fuses and valve coils that are simple and fast to change yet still can cause significant problems if not operating properly. The kits easily fit in the trunk or bed of a vehicle so they're on hand when needed. A crew-member with a bit of technical knowledge can handle this work on the jobsite. These repairs take 2 hours or less.



MAINTENANCE KITS

Preventive maintenance is crucial to efficient operation and service life of machines. The easier the maintenance, the more likely it is to be completed. Maintenance kits make the upkeep simple. Parts associated with a particular maintenance process are in a single box with a single part number.

BROCHURE WITH ALL KITS

We have a prospect with all kits, and their part numbers are available for you. Just contact your parts consultant and have a digital or hardcopy sent to you.



“Service kits ensure that every part is there when you need it, while emergency kits prevent a little challenge from becoming a big one.”



For additional product information
and services please visit:
www.ammann-group.com

