

DRIVE THE CHANGE



BR.2017.01.0085.02.02

CORMIDI

C85
MINI TRACK DUMPER



DRIVE THE CHANGE

MAXIMUM EFFICIENCY



Endless hours of testing and fine tuning made the C85 the best in its class for performance and reliability. We created a durable machine with maintenance cost close to none.

UNDERCARRIAGE



Our undercarriage is like no one. Our Cormidi R&D department put all its experience towards creating the best undercarriage available on the market

SIMPLY INCREDIBLE



The Cormidi design lab created a machine that mixes industrial design with strength, power and easy to use

CORMIDI

C85
MINI TRACK DUMPER



DRIVE THE CHANGE

STRENGTHS



The C85 puts incredible power in a compact and sturdy machine



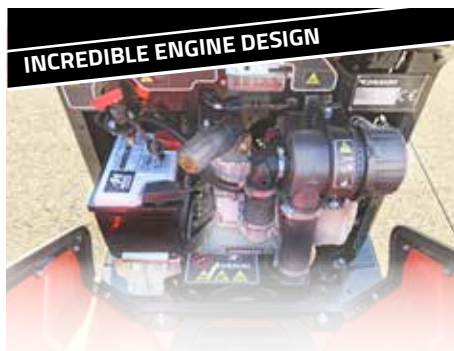
The operators has a perfect access to all the controls and can keep all the parameters under control



The swinging bucket not only load the dumper but can unload it frontally



The window on the left side of the unit allow an immediate check of the fuel level



The design of the engine compartment allows easy access to all the component



Greasing the undercarriage is easy and fast: nothing has to be taken apart.



the diesel machine has a key protected fuel cap



Galvanized sheet, protects the moving parts from materials that could damage them



The air/water cooling system allows the machine to operate in extreme conditions

STRENGTHS



The machine can be radio controlled for dangerous jobs.



Cooling system really efficiently help work in every condition.



Maintenance free throttle.



Connecting accessory that need more hydraulics has never been so easy.



A buzzer will alert the operator in case of necessity and display always allows easy reading of the working hours.



Mechanical parking and emergency brake.



Large and sturdy hooks to move the machine in total safety.



The machine's undercarriage oscillated to follow the terrain profile for increased stability and comfort.



When the situation needs a shorter unit, the stand can be closed, otherwise it opens to let the operator in.

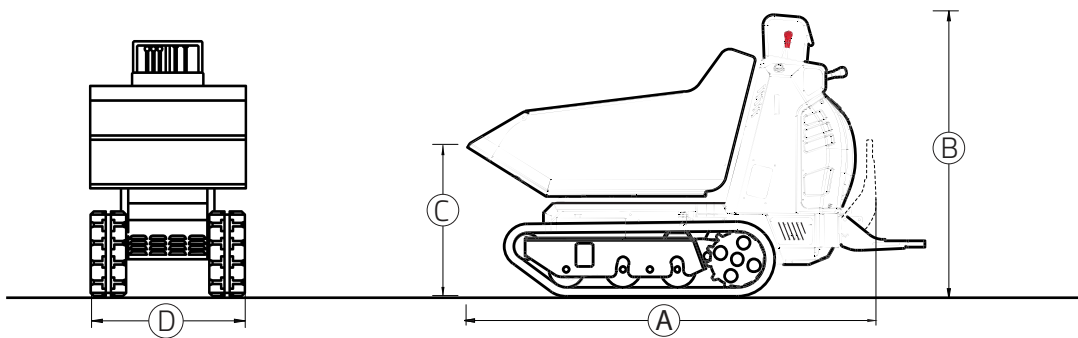
CORMIDI

CBS

MINI TRACK DUMPER



DUMPER (RI)



	mm	inch.
A	1926	A 75.8
B	1336	B 52.6
C	739	C 29.1
D	810	D 31.9

	C10.85	C13.85	C14.85
OPERATIVE CAPACITY	800 kg 1764 Lb	800 kg 1764 Lb	800 kg 1764 Lb
TOTAL WEIGHT	566 kg 1248 Lb	541 kg 1193 Lb	588 kg 1296 Lb
STRUCK	0,28 m ³ 0.33 yd ³	0,28 m ³ 0.33 yd ³	0,28 m ³ 0.33 yd ³
HEAPED SAE	0,36 m ³ 0.45 yd ³	0,36 m ³ 0.45 yd ³	0,36 m ³ 0.45 yd ³

CORMIDI

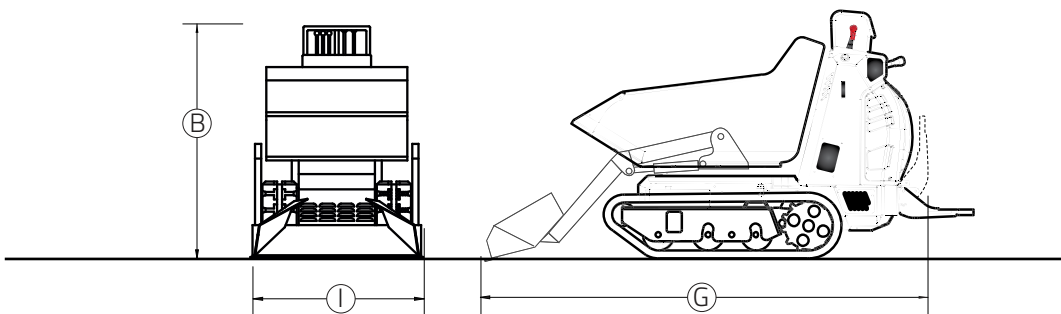
CBS

MINI TRACK DUMPER



DRIVE THE CHANGE

SELF LOADING (AC-ACW)



	mm	inch.
B	1336	B 52.6
G	2595	G 102.2
I	835	I 32.9
H	1500	H 59.1

	C10.85	C13.85	C14.85
OPERATIVE CAPACITY	800 kg 1764 Lb	800 kg 1764 Lb	800 kg 1764 Lb
TOTAL WEIGHT	662 kg 1460 Lb	637 kg 1404 Lb	684 kg 1508 Lb
STRUCK	0,25 m ³ 0.33 yd ³	0,25 m ³ 0.33 yd ³	0,25 m ³ 0.33 yd ³
HEAPED SAE	0,34 m ³ 0.45 yd ³	0,34 m ³ 0.45 yd ³	0,34 m ³ 0.45 yd ³

CORMIDI

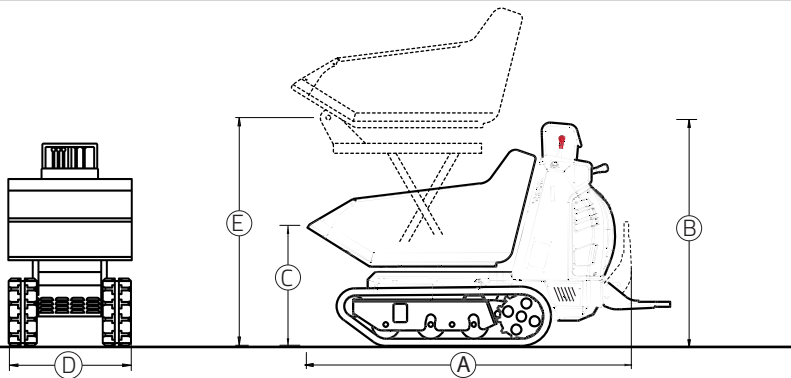
CBS

MINI TRACK DUMPER



DRIVE THE CHANGE

HI-TIP (HI)



	mm	inch.
A	1926	A 75.8
B	1336	B 52.6
C	739	C 29.1
D	810	D 31.9
E	1500	E 59.1

	C10.85	C13.85	C14.85
OPERATIVE CAPACITY	800 kg 1764 Lb	800 kg 1764 Lb	800 kg 1764 Lb
TOTAL WEIGHT	668 kg 1472.7 Lb	643 kg 1418 Lb	690 kg 1521 Lb
STRUCK	0,28 m ³ 0.33 yd ³	0,28 m ³ 0.33 yd ³	0,28 m ³ 0.33 yd ³
HEAPED SAE	0,36 m ³ 0.45 yd ³	0,36 m ³ 0.45 yd ³	0,36 m ³ 0.45 yd ³

CORMIDI

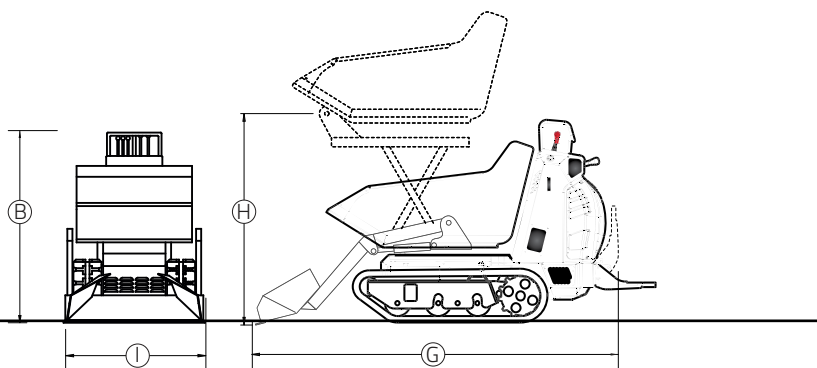
CBS

MINI TRACK DUMPER



DRIVE THE CHANGE

HI-TIP AND SELF LOADING (HIAC-HIACW)



	mm	inch.
B	1336	B 52.6
G	2595	G 102.2
I	835	I 32.9
H	1500	H 59.1

	C10.85	C13.85	C14.85
OPERATIVE CAPACITY	800 kg 1764 Lb	800 kg 1764 Lb	800 kg 1764 Lb
TOTAL WEIGHT	765 kg 1687 Lb	740 kg 1631 Lb	787 kg 1735 Lb
STRUCK	0,25 m ³ 0.33 yd ³	0,25 m ³ 0.33 yd ³	0,25 m ³ 0.33 yd ³
HEAPED SAE	0,34 m ³ 0.45 yd ³	0,34 m ³ 0.45 yd ³	0,34 m ³ 0.45 yd ³

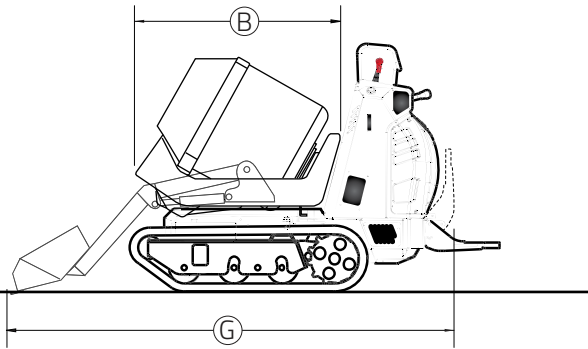
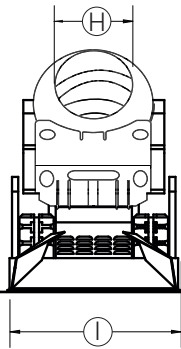
CORMIDI

CBS
MINI TRACK DUMPER



DRIVE THE CHANGE

CONCRETE MIXER (AC)



	mm	inch.
B	1125	B 44.3
G	2595	G 102.2
I	835	I 32.9
H	425	H 16.7

	C10.85	C13.85	C14.85
OPERATIVE CAPACITY	800 kg 1764 Lb	800 kg 1764 Lb	800 kg 1764 Lb
TOTAL WEIGHT			
GROSS CAPACITY	240 L 63.4 gal	240 L 63.4 gal	240 L 63.4 gal
NET CAPACITY	130 L 34.3 gal	130 L 34.3 gal	130 L 34.3 gal

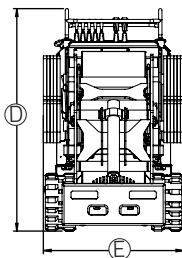
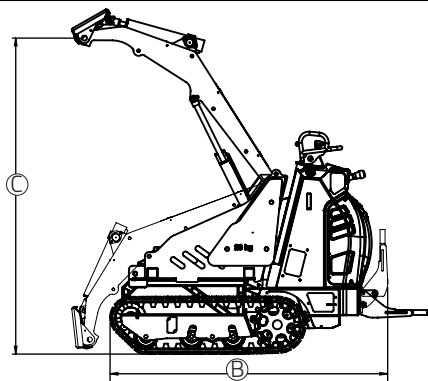
CORMIDI

CBS
MINI TRACK DUMPER



DRIVE THE CHANGE

MINI LOADER (ML)



	mm	inch.
B	1654	B 65.1
C	1884	C 74.2
D	1326	D 52.2
E	837	E 33.0

	C10.85	C13.85	C14.85
OPERATIVE CAPACITY	800 kg 1764 Lb	800 kg 1764 Lb	800 kg 1764 Lb
TOTAL WEIGHT	800 kg 1764 Lb	800 kg 1764 Lb	800 kg 1764 Lb
WITH COUNTERWEIGHT 160 KG WITH OPERATOR	312 kg 687.8 Lb	WITH COUNTERWEIGHT 160 KG WITHOUT OPERATOR	248 kg 546.8 Lb
WITHOUT COUNTERWEIGHT WITH OPERATOR	259 kg 571 Lb	WITHOUT COUNTERWEIGHT WITHOUT OPERATOR	195 kg 429.9 Lb

CORMIDI



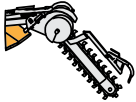


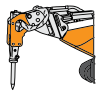

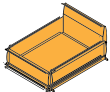


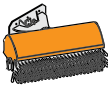
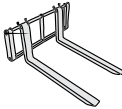

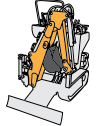
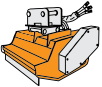
CBS

MINI TRACK DUMPER



DRIVE THE CHANGE

ACCESSORIES

		C10.85	C13.85	C14.85	
hyd. auger 		RI-RIA AC-ACW HI HIAC HIACW	<input type="checkbox"/>	<input type="checkbox"/>	<input type="checkbox"/>
hydraulic saw 	trencher 	RI-RIA AC-ACW HI HIAC HIACW	<input type="checkbox"/>	<input type="checkbox"/>	<input type="checkbox"/>
Water Pump 		RI-RIA AC-ACW HI HIAC HIACW	<input type="checkbox"/>	<input type="checkbox"/>	<input type="checkbox"/>
Hydraulic hummer 	hyd. hummer 	RI-RIA AC-ACW HI HIAC HIACW	<input type="checkbox"/>	<input type="checkbox"/>	<input type="checkbox"/>
Remote Control 		RI-RIA AC-ACW HI HIAC HIACW	<input type="checkbox"/>	<input type="checkbox"/>	<input type="checkbox"/>
Body Farm 		RIA	<input type="checkbox"/>	<input type="checkbox"/>	<input type="checkbox"/>
Atomizer 		RIA	<input type="checkbox"/>	<input type="checkbox"/>	<input type="checkbox"/>
sweeper 	brush 				
Forks 		ACW	<input type="checkbox"/>	<input type="checkbox"/>	<input type="checkbox"/>
blade 		ACW	<input type="checkbox"/>	<input type="checkbox"/>	<input type="checkbox"/>
mini excavator 		ACW	<input type="checkbox"/>	<input type="checkbox"/>	<input type="checkbox"/>
weed wacker 		ACW	<input type="checkbox"/>	<input type="checkbox"/>	<input type="checkbox"/>

	METRIC	U.S.	13.85	10.85	14.85	ELECTRIC
ENGINE						
Petrol	Honda Gx 390 13 hp		●			
Diesel	Yanmar LN 100 AE 10 hp			●		
Diesel	Kubota Z 482 14 hp				●	
Electric	6 hp					●
TRANSMISSION						
Type	Hydrostatic		●	●	●	●
Hydraulic pump	2 variable piston pump		●	●	●	●
TRACKS						
Crawler width	180 mm	(7.1 in)				
Rocking rollers	Yes		●	●	●	●
HYDRAULIC SYSTEM						
Hydraulic pump	Gear pump					
Flow Std	1x15,2 l/min	(1x4.0 gpm)	●			●
	1x13,4 l/min	(1x3.5 gpm)		●	●	
Hi-Flow	1x20,8 l/min	(1x5.5 gpm)	●			●
	1x18,5 l/min	(1x4.8 gpm)		●	●	
Super Hi-Flow	1x25,6 l/min	(1x6.7 gpm)			●	
max pressure	150 bar	(2180 psi)	●	●	●	●
PERFORMANCE AND DIMENSIONS						
Max. travel speed	(5 Kmh)	(3.1 mph)	●			
	(6 Kmh)	(3.7 mph)		●		●
Operative weight	800 kg	(1762 LB)	●	●	●	●
Vessel contents	0.28 m ³	(0.37 yd ³)	●	●	●	●
	0.45 m ³ ^a	(0.59 yd ³)				
Parking brake	Yes		●	●	●	●

Please note: The machines and accessories depicted in brochures and catalogues can vary from version to version, therefore please consult your distributor for a description of standard accessories and options available for each model. Cormidi reserves the right to change or to modify the specification of the machines without warning. The photos in catalogues and brochures represent the Cormidi machines in production at time of printing. However, newer and upgraded models may look different to the photos shown in this catalogue or brochure.